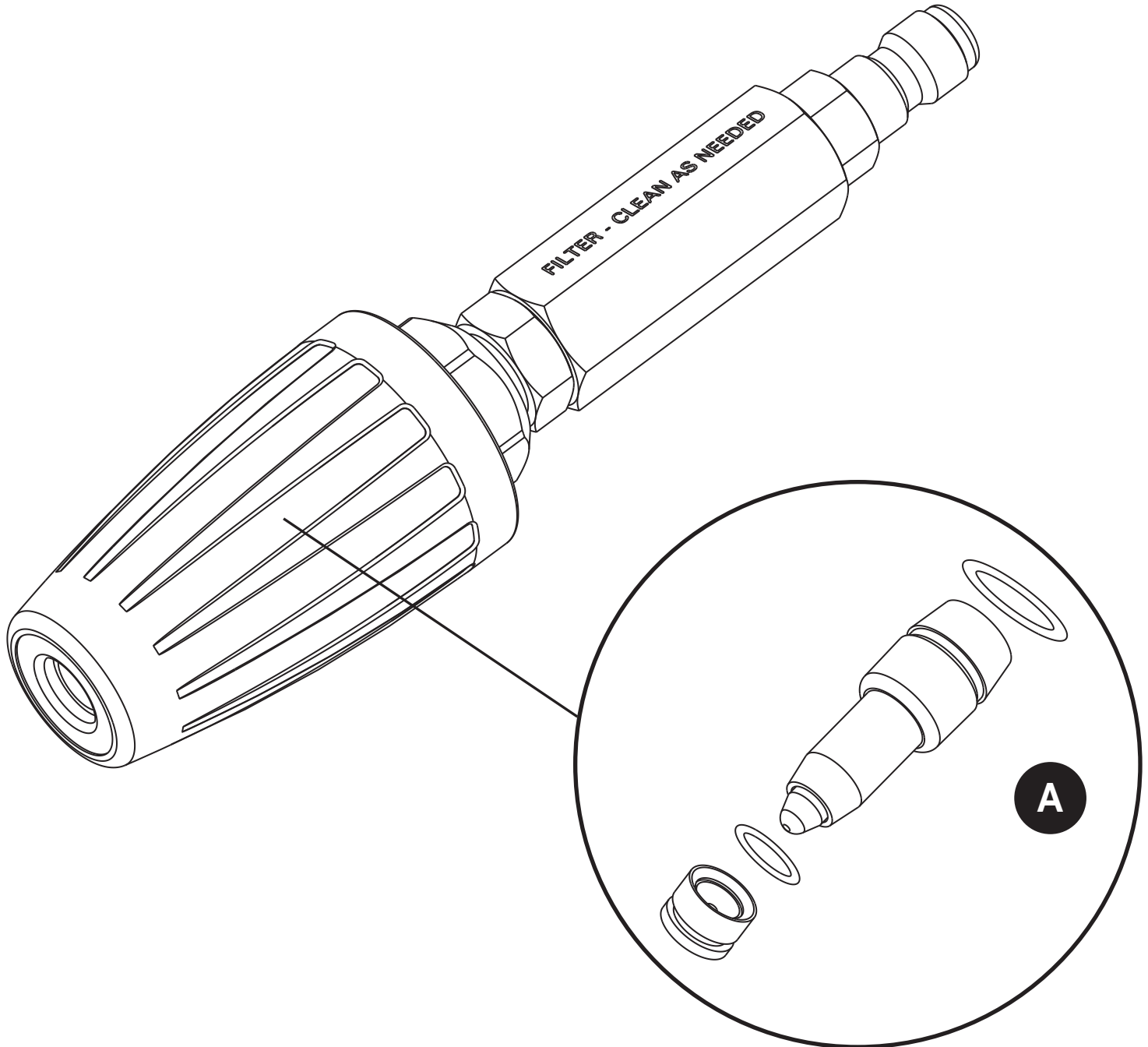




# Pro Turbo Nozzle

## PARTS DIAGRAM

ITEM #936071  
MODEL #SGY-PWA76



PART	DESCRIPTION	QUANTITY
A	Rebuild Kit - Ceramic Tip, O-Ring and Sleeve	1