

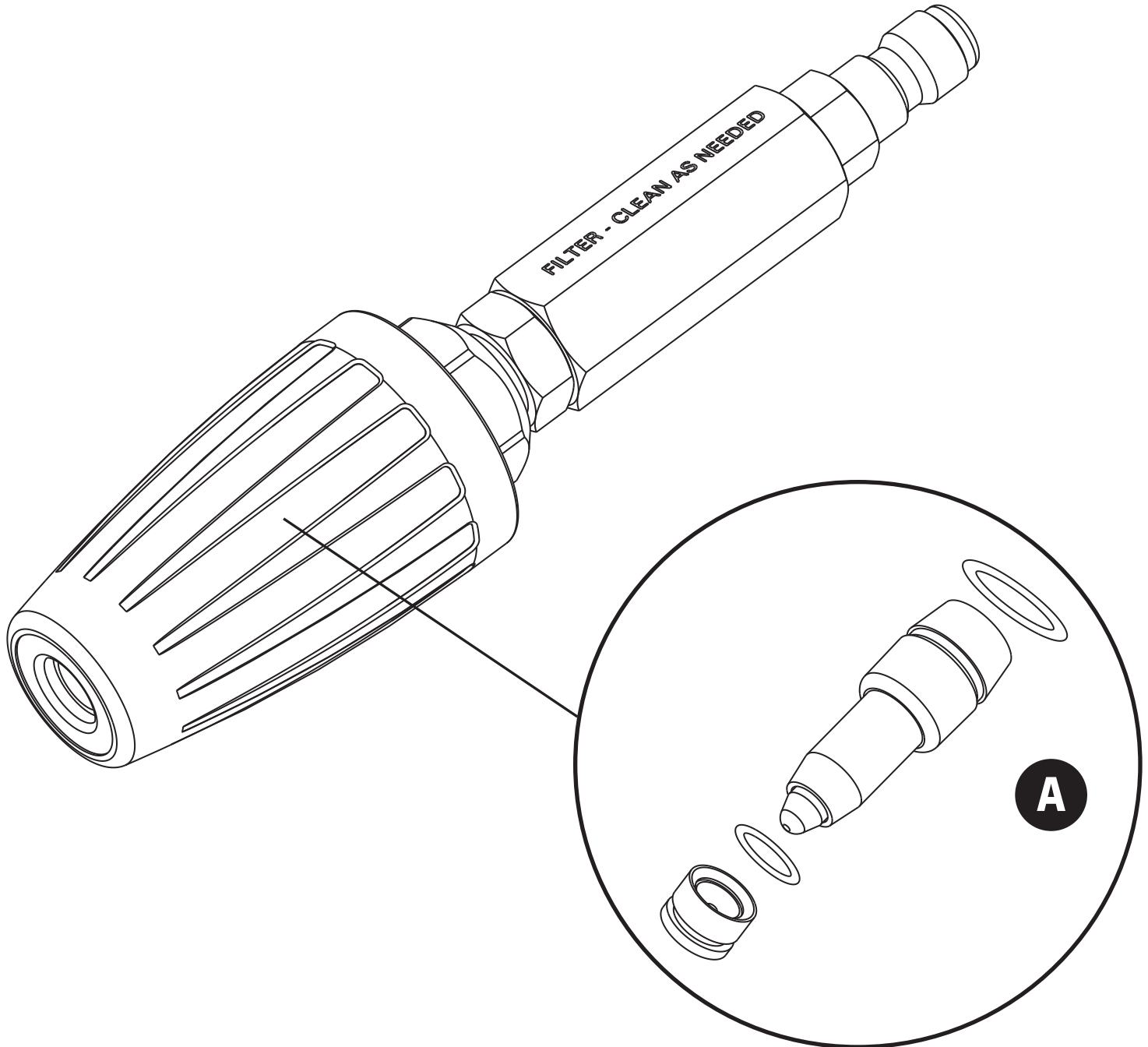


# PRO TURBO NOZZLE

## PARTS DIAGRAM

ITEM #936071

MODEL #SGY-PWA76



PART	DESCRIPTION	QUANTITY	SKU
A	Rebuild Kit - Ceramic Tip, O-Ring and Sleeve	1	SMX-TN-001