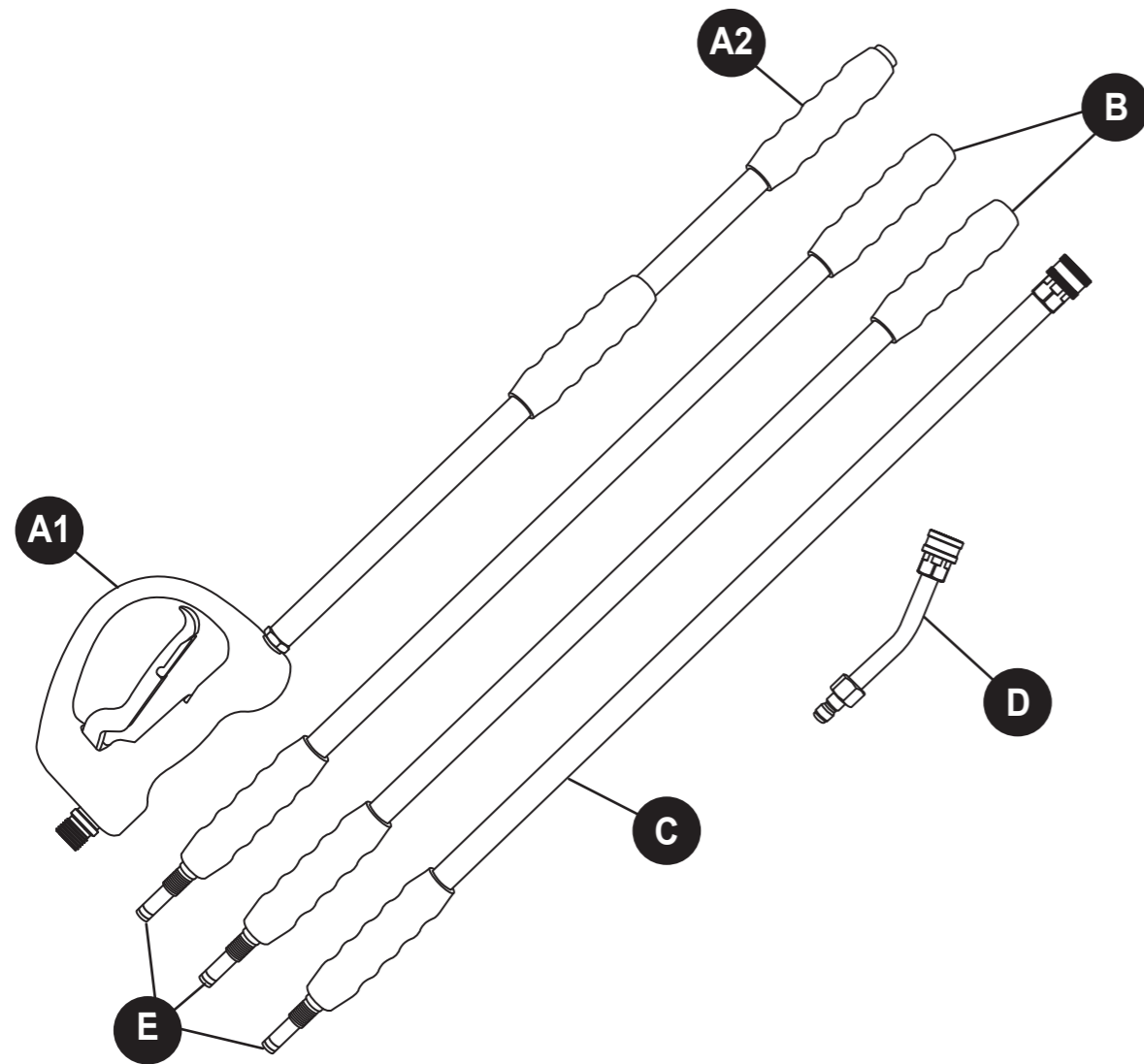




# 9-ft Pressure Washer Extension Wand NEW MODEL PARTS DIAGRAM

ITEM #2637678  
MODEL #SGY-PWA96

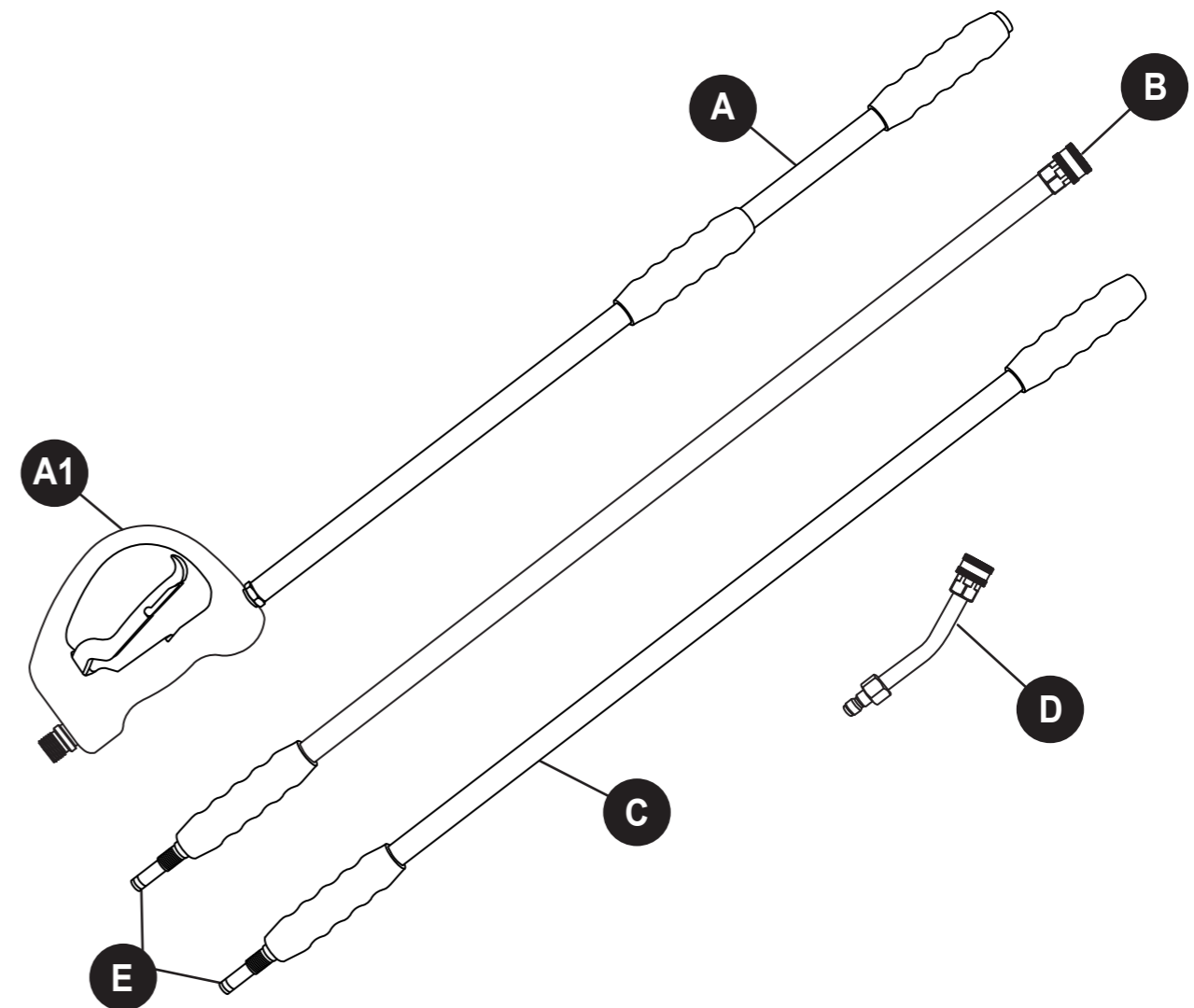


PART	DESCRIPTION	QUANTITY
A1	Handle Assembly	1
A2	Handle Extension	1
B	Extension	2
C	Extension with Coupler	1
D	Extension Wand	1
E	O-Ring Kit	3



# 9-ft Pressure Washer Extension Wand OLD MODEL PARTS DIAGRAM

ITEM #936074  
MODEL #SGY-PWA79



PART	DESCRIPTION	QUANTITY
A1	Handle Assembly	1
A	Handle Extension	1
B	Extension with Coupler	1
C	Extension	1
D	Extension Wand	1
E	O-Ring Kit	2