



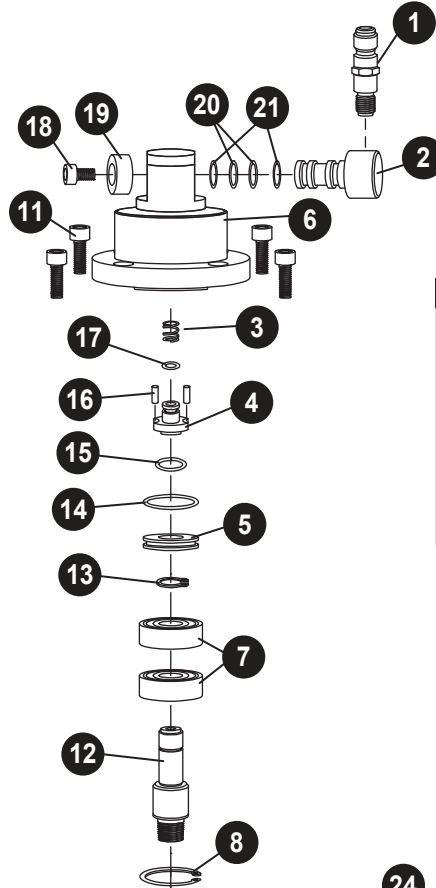
# 18-in Surface Cleaner

## PARTS DIAGRAM

ITEM #5194341

MODEL #SGY-PWA101

PART	DESCRIPTION	QTY
1	Inlet Plug	1
2	Swivel Valve	1
3	Spring	1
4	Fixed Seal	1
5	Protection Ring	1
6	Manifold Body	1
7	Bearing	2
8	Snap Ring	1
9	Bottom Plate	1
10	Brush	1
11	Screw	4
12	Shaft	1
13	Snap Ring	1
14	O-ring	1
15	O-ring	1
16	Locking Pin	2
17	O-ring	1
18	Screw	1
19	Washer	1
20	O-ring	2
21	O-ring	2
22	Spray Bar	1



PART	DESCRIPTION	QTY
23	Spray Tip	2
24	SS Shroud	1
25	Nut	8
26	Washer	14
27	Screw	10
28	Wheel Support Bracket	4
29	Nut	4
30	Wheel	4

